

## SINGLE GLASS RINSER



GR-UCM

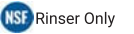


MM-5821

### COUNTERMOUNT

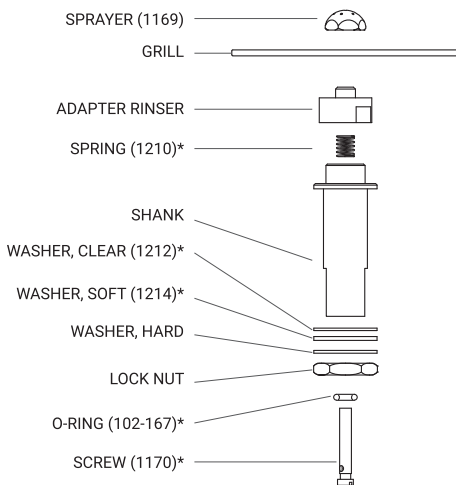
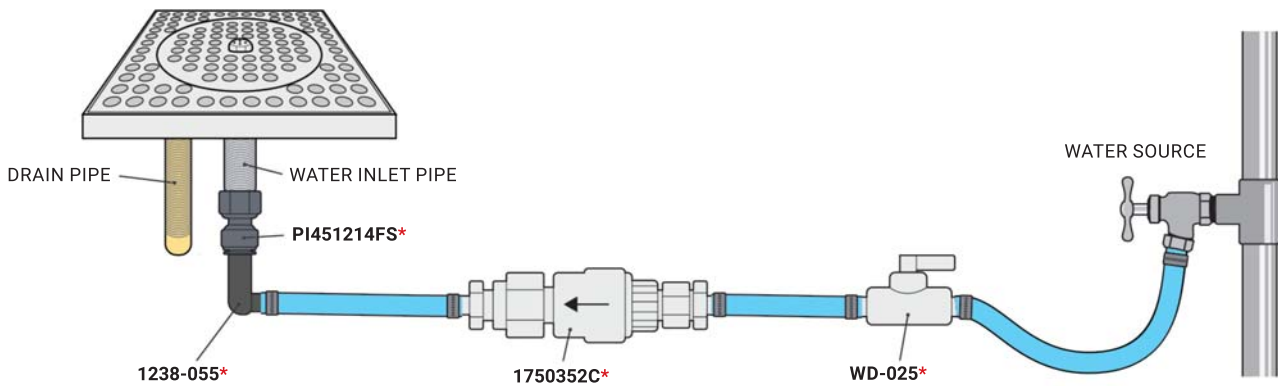
Add the improved hygiene and dispense features of a glass rinser to any bar. The construction of the tray and mount features 18 gauge stainless steel for durable long-lasting performance. The water rinser and glass actuator feature robust metal and stainless construction.

PART NO.	MOUNT	OVERALL DIMENSIONS	MOUNT AREA
GR-UCM	Undercounter	11-3/8"L x 6-3/8"W	5"L x 6-3/8"W
MM-5821	Counter top	6-3/8"L x 6-3/8"W	N/A



### RINSER FITTINGS

PART NO.	DESCRIPTION
1750352C	15 psi inline water regulator with check valve, 3/8" barb inlet and outlet
PI451214FS	John Guest 3/8" x 1/2" BSP threads water inlet pipe
1238-055	John Guest 3/8" smooth x 3/8" barb elbow
DDN	1/2" BSP drain nipple fits 1/2" hose
WD-025	Inline shutoff with 3/8" barb inlet and outlet
RDT-KIT	Installation kit: includes these highlighted parts*



### REPLACEMENT RINSERS

PART NO.	GRILL DIAMETER	GRILL PATTERN	USE	NSF
GR-1561	3-3/4"	Holes	Pro-Line™ direct draw	Y
GR-1581	4-1/2"	Holes	Stock and custom rinser trays	Y
GR-1581-2	4-1/2"	Plus stamp	Platform rinser trays	Y
GR-4446	4-1/2"	Holes	Stock and custom rinser trays	Y
MM-DTRR-KIT	Sprayer rebuild kit, includes these highlighted parts*			